



EAGLE

DOCTOR BLADE



**For Rotogravure
&
Flexographic Printing**

About our Company

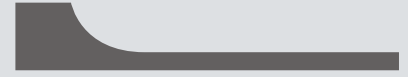
Eagle Machine Tools was founded in 2016 with the aim to provide perfect printing solution to our esteemed customers.

With more than 18 years of rich expertise in the similar field we understand the actual customer need and perfect solution for their needs.

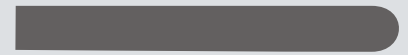
Keeping in view the customer's need and their satisfaction, we have installed the latest manufacturing technology with the World's best machines to manufacture these Doctor Blades moreover we use only SWEDISH steel to manufacture these blades.

Edge Configuration

Lamella Edge

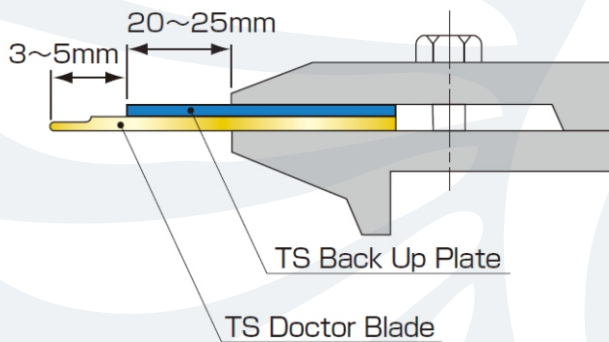


Round Edge

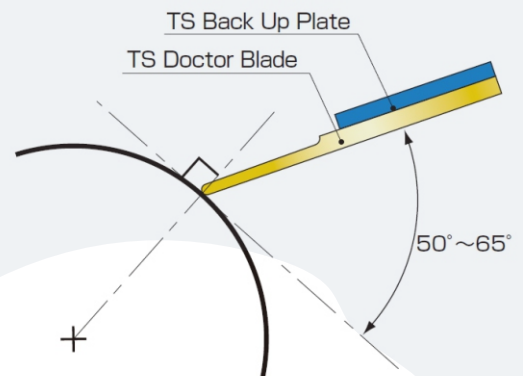


Other Edges

Material Thickness	0.15mm - 0.2mm
Width	40mm - 50mm - 60mm
Edge Thickness	40 μm, 50 μm, 60 μm, 70 μm, 85 μm, 100 μm, 150 μm
Shape	Lamella (Single), Lamella (Double), Round Edge



Standard Size of Blade Edge Margin Part



Standard Installation Angle



Eagle Machine Tools

Plot No. 9A, H.No. 4-7-400/1, Navajeevan Nagar, Ferozguda, Hyderabad -11, India

+91 4023773677 @ eaglecutters@gmail.com globe eagemachinetools.com